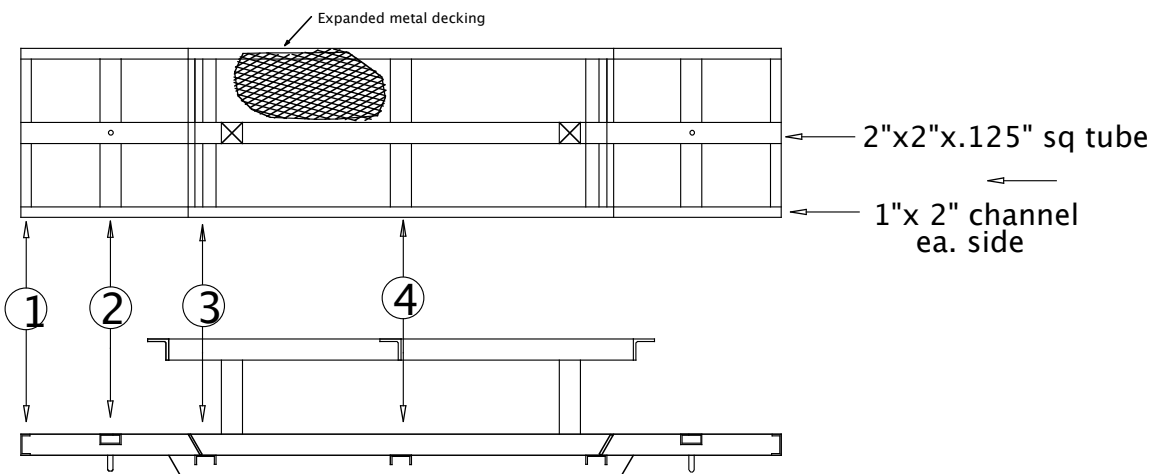


# RIDING CAR 7 1/2' GAUGE

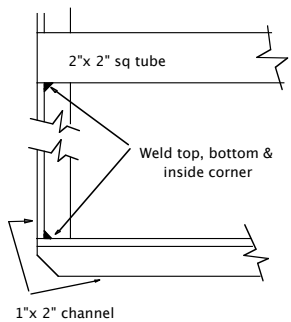
Designed by: John Bailie

Drawn by: Don Juergenson

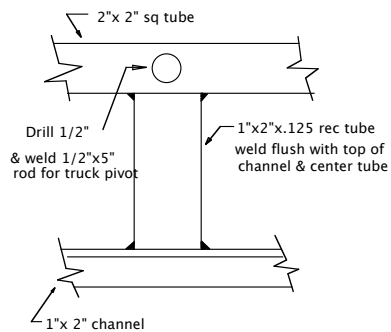


## NOTES

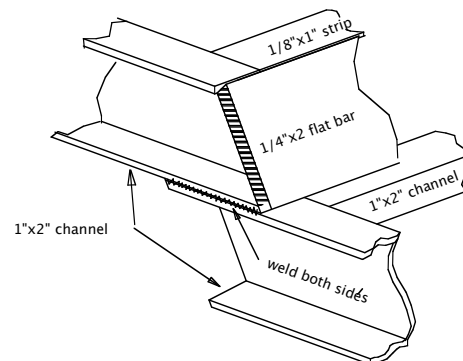
1. Tack weld expanded metal decking on all sides
2. Locate buffer blocks after trucks are installed
3. Use 2x8 DF or RW for seat



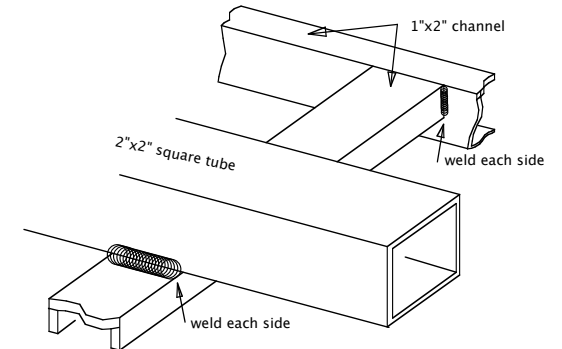
Detail 1



Detail 2



Detail 3



Detail 4